



PISTON PUMP

1. For the control section, a unique cartridge structure is incorporated.
2. The internal sliding surfaces, made of a wear resistant, seizure proof material, have been surfaced treated.
3. As the main internal parts, such as the cylinder blocks and piston as-semblies are used, are from the AR16 and AR22 pumps, the reliability is well-known and outstanding.
4. A specially designed semi-cylindrical swash plate bearing structure, effectively reduces vibration and noise, whilst being more compact.
5. The Housing is a compact and light mass design.

	<b>Type</b>	<b>AR16</b>
	Displacement cc/rev	15.8
	Max, Pressure kgf/cm <sup>2</sup>	163(16)
	Max revolution (rpm)	1800
	Controls type	01: Pressure compensator HL: Load-sensing compensator G: Remote Pressure compensator D: Solenoid Controlled Pressure Compensating Type With Unloading Device E: Dual Pressure Control
	Shaft Option	K: Keyed G: 16/32DP-13T T: 16/32DP-9T
Weight kg(lb)	9.8	

	<b>Type</b>	<b>AR22</b>
	Displacement cc/rev (in <sup>3</sup> /rev)	22.2
	Max, Pressure kgf/cm <sup>2</sup> (psi)	163(16)
	Max revolution (rpm)	1800
	Controls type	01: Pressure compensator HL: Load-sensing compensator G: Remote Pressure compensator D: Solenoid Controlled Pressure Compensating Type With Unloading Device E: Dual Pressure Control
	Shaft Option	K: Keyed G: 16/32DP-13T T: 16/32DP-9T
Weight kg(lb)	9.8	

Order No.								
Series No.	Mounting	Direction of Rotation	Control Type	Pres.Adj. Range	Port Position	Shaft Extension	Threads code	Design No.
AR16	F	R	01	C	S	K	10	Y
AR16 (15.8cm <sup>3</sup> /rev)	F:Flange Mtg	R:clockwise L:counter	01: Pressure compensator HL: Load-sensing compensator	B:12~70 (1.2~7) C:12~210 (1.2~21)	None: Axial Port S: Side Port	K: Keyed G: 16/32DP-13T T: 16/32DP-9T	10:PT(RC) 40:BSPP(G) 50:NPT	X Y
AR22 (22.2cm <sup>3</sup> /rev)			G: Remote Pressure compensator D: Solenoid Controlled Pressure Compensating Type With Unloading Device E: Dual Pressure Control					

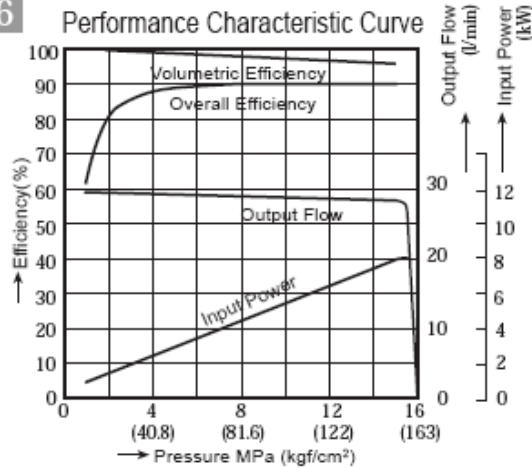
**Performance**

**AR Series Variable Displacement Piston Pumps**

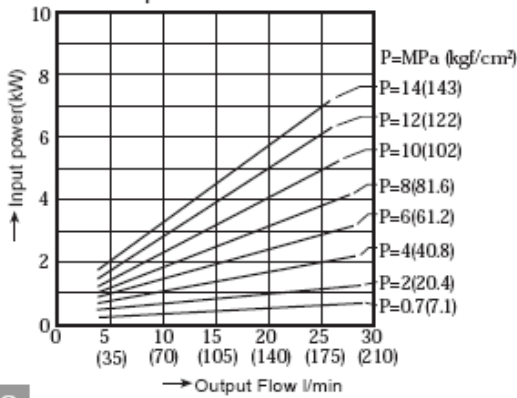
ISO VG32 Oils 50°C

**AR16**

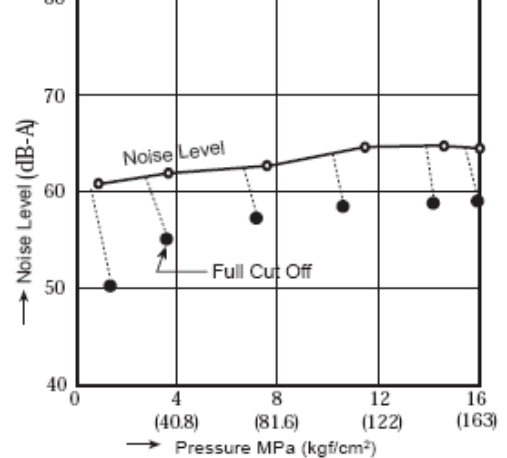
Performance Characteristic Curve



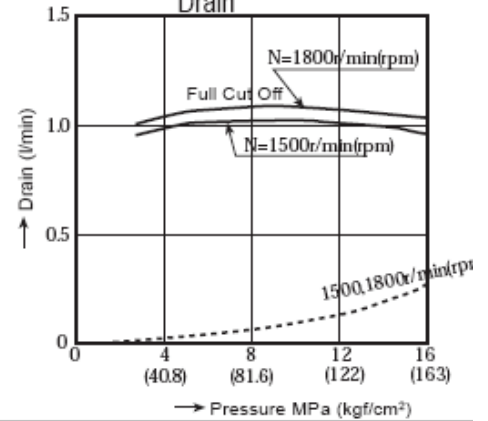
Input Power



Noise Level\*One meter horizontally away from pump head cover\*

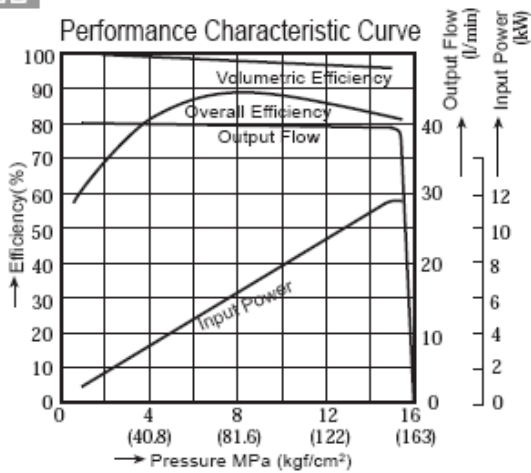


Drain

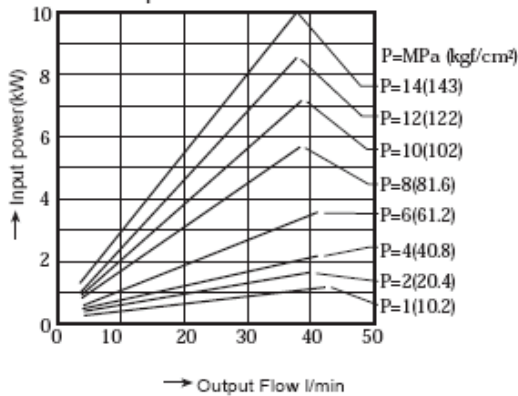


**AR22**

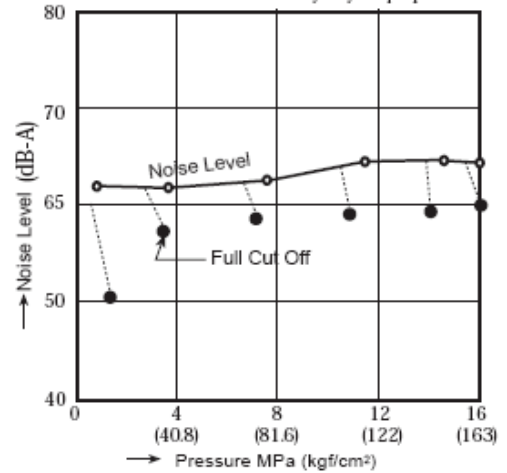
Performance Characteristic Curve



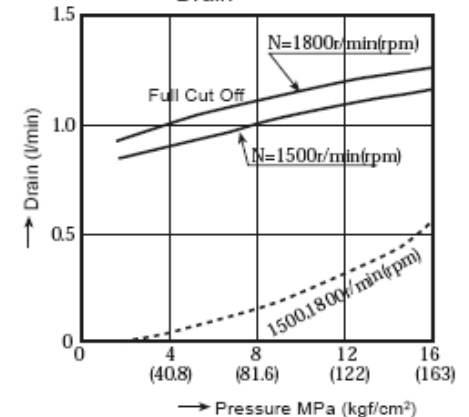
Input Power



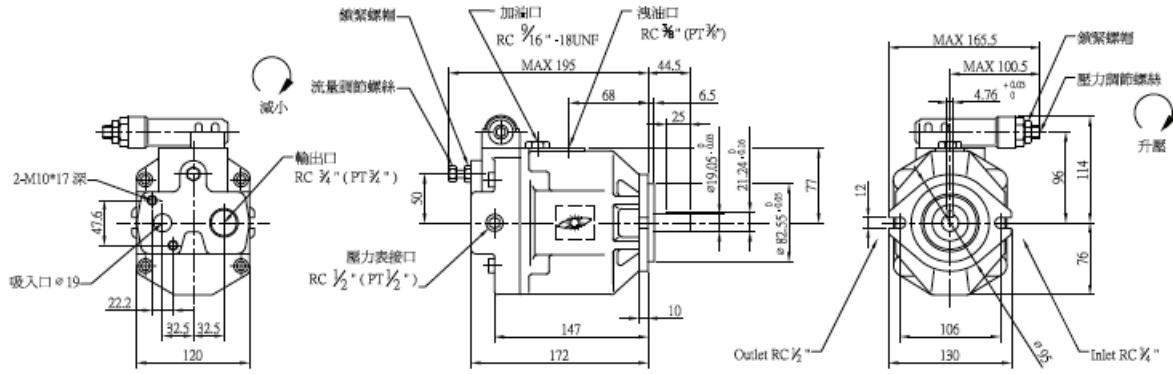
Noise Level\*One meter horizontally away from pump head cover\*



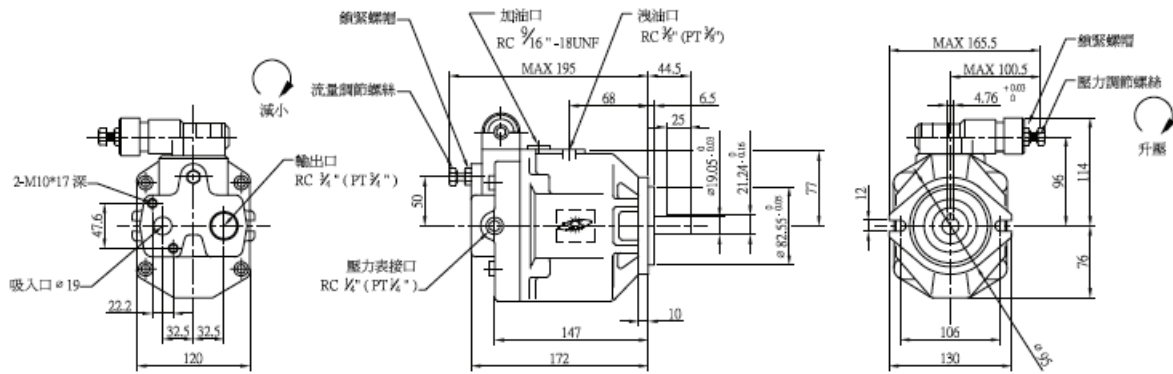
Drain



AR16F□□□□□Y / AR22F□□□□□Y



AR16F□□□□□X / AR22F□□□□□X



Oudshoorn Hydraulics  
 Jaap Bijzerweg 18  
 3446CR Woerden  
 0348-422000  
 info@oudshoorn-hydraulics.nl  
 www.oudshoorn-hydraulics.nl

Order

Note

If the product make the special design, the advice doesn't command any more.